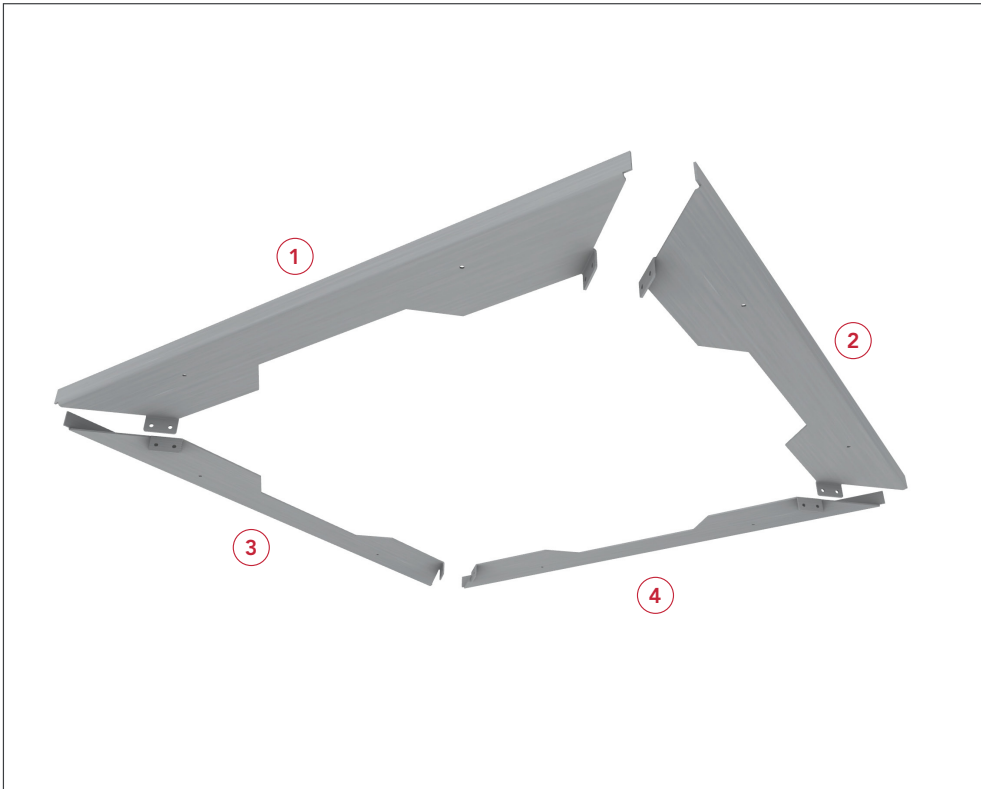
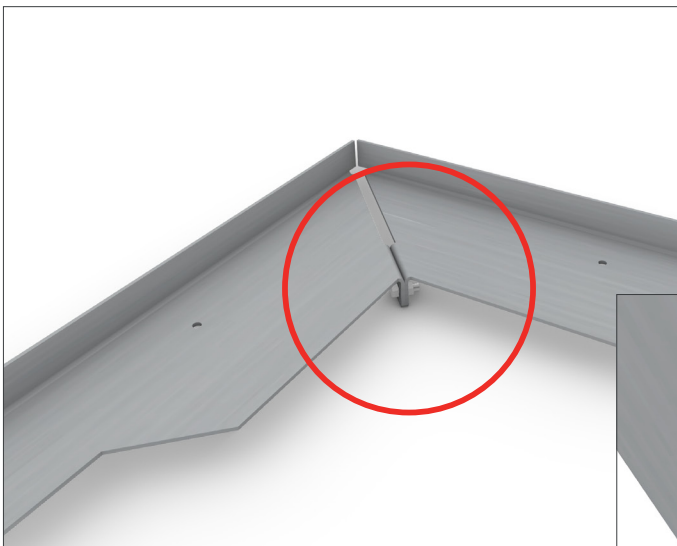


MALUS
Wyken frame
Mounting instructions



01.

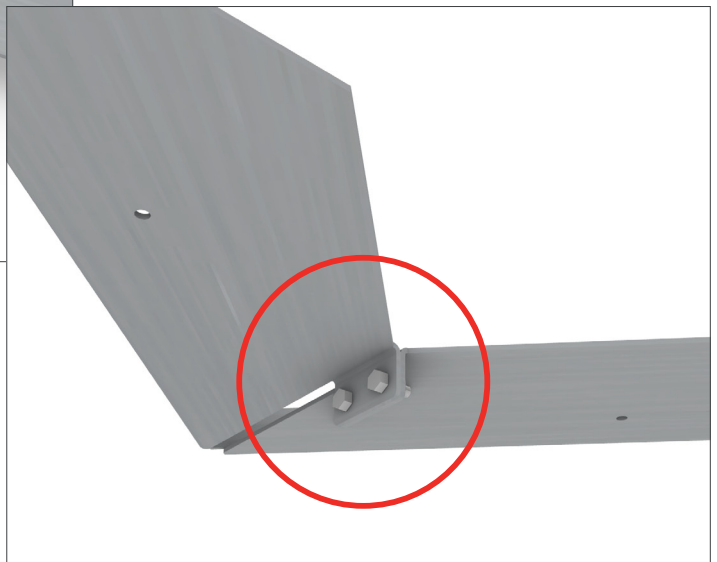
Place the 4 frame sides next to each other as shown in the image.



02.

Attach the frame sides using 2st M8x25 bolts, nuts and washers in every corner.

In total, 8 bolts.



MALUS
Wyken frame
Mounting instructions



The assembled frame

03.

Place the frame on the
concrete fundament.



The frame on the
concrete fundament

