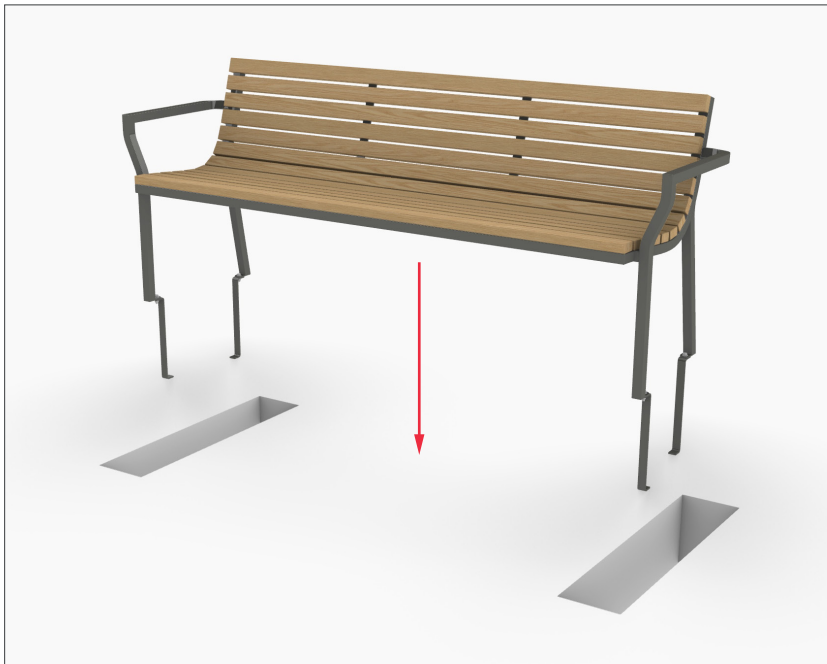


MALUS
Svanetorp Soffa - Cast on site version
Casting instructions



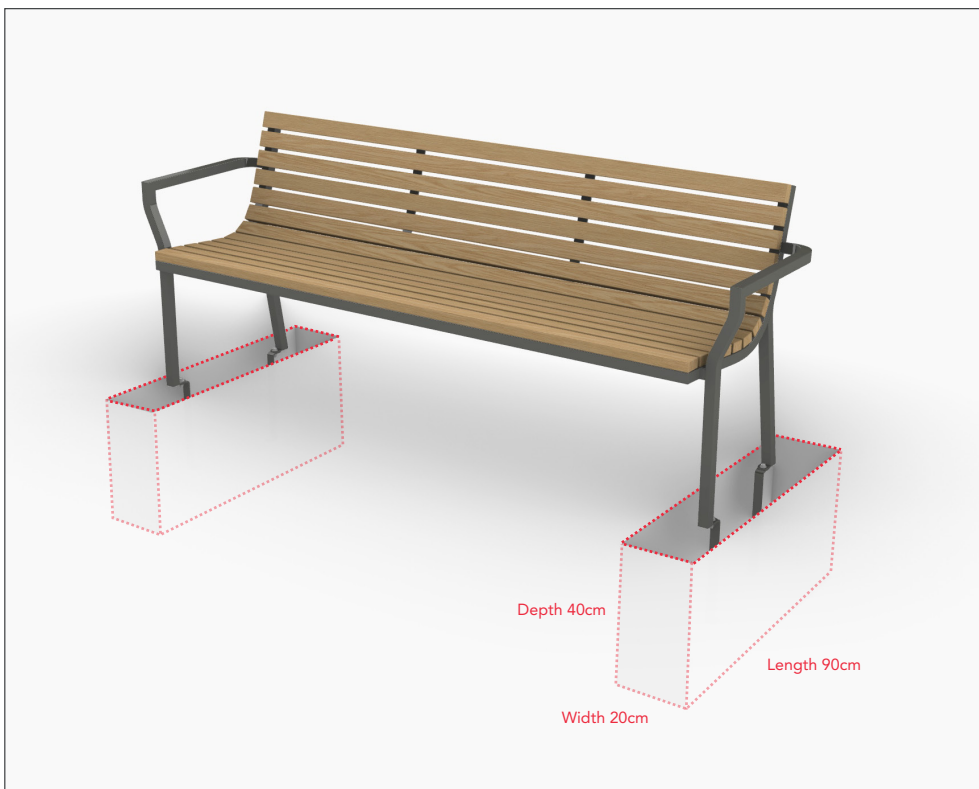
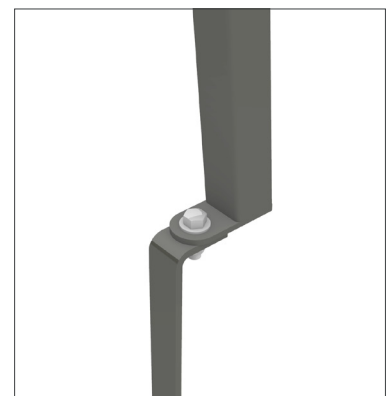
Leg extension for casting
Connected with M8 bolt, nut and washers

01.

Prepare 2 holes for casting the bench in the chosen position.

Minimum dimensions for each hole:
Width 20cm
Length 90cm
Depth 40cm

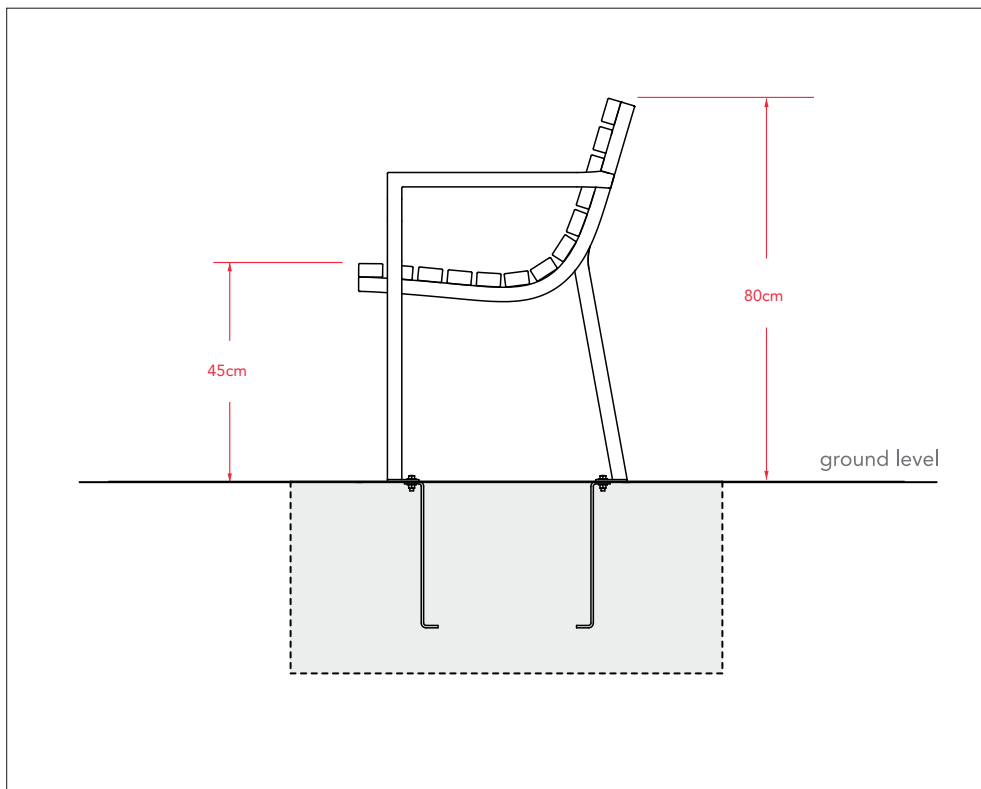
See illustration below.



02.

Place the bench in the holes.

MALUS
Svanetorp Soffa - Cast on site version
Casting instructions



03.

Adjust the positioning of the bench and secure in place with (wooden) supports.

Make sure the seat is horizontal when viewing from the front. The angle of the seat from the side view should be as shown in the illustration.

Important!

make sure the seat height is 45cm and the backrest height is 80cm over the ground level.



04.

Cast concrete in both holes. Remove supports after drying.

Level the holes with soil or the chosen top layer material.