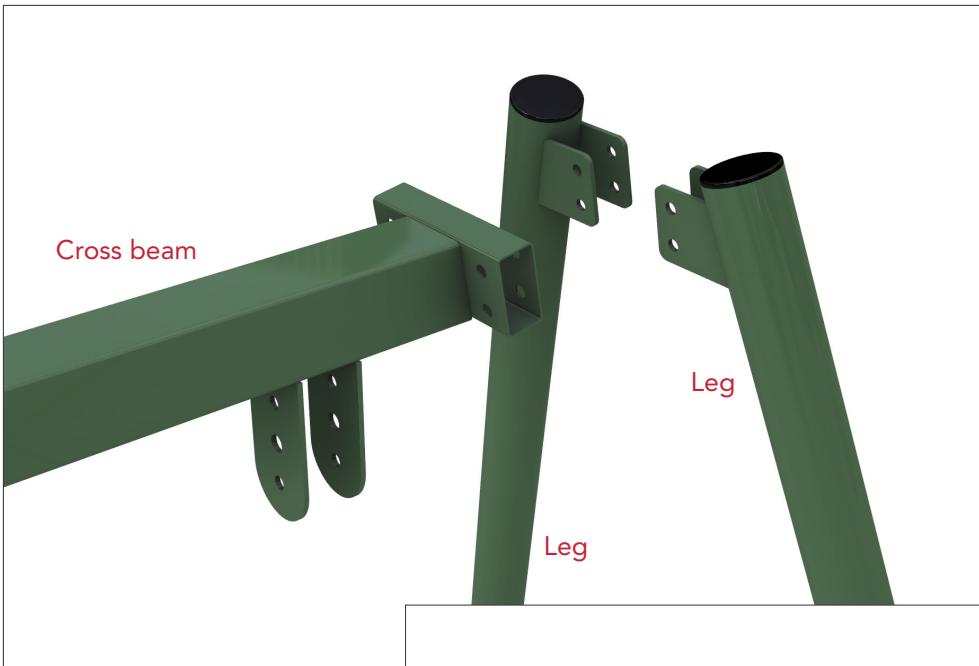


**MALUS**  
STOCKHOLM HAMMOCK - SINGLE  
Mounting instructions



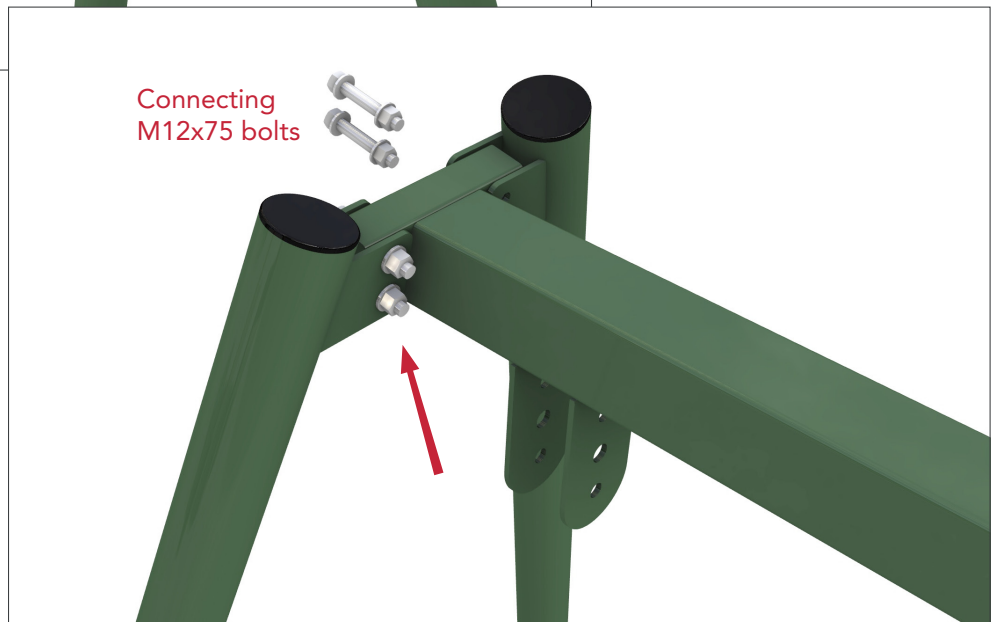
01.

**Assemble the main frame structure** which the hammock will be hanging from.

The structure includes the cross beam and 4 round tube legs. The top ends of the leg posts should be covered with the plastic caps.

Use M12x75 bolts, washers and nuts to attach the legs to the cross beam.

2 bolts for every leg.  
8 Bolts in total at this stage.



Frame after legs assembly :



**MALUS**  
STOCKHOLM HAMMOCK - SINGLE  
Mounting instructions



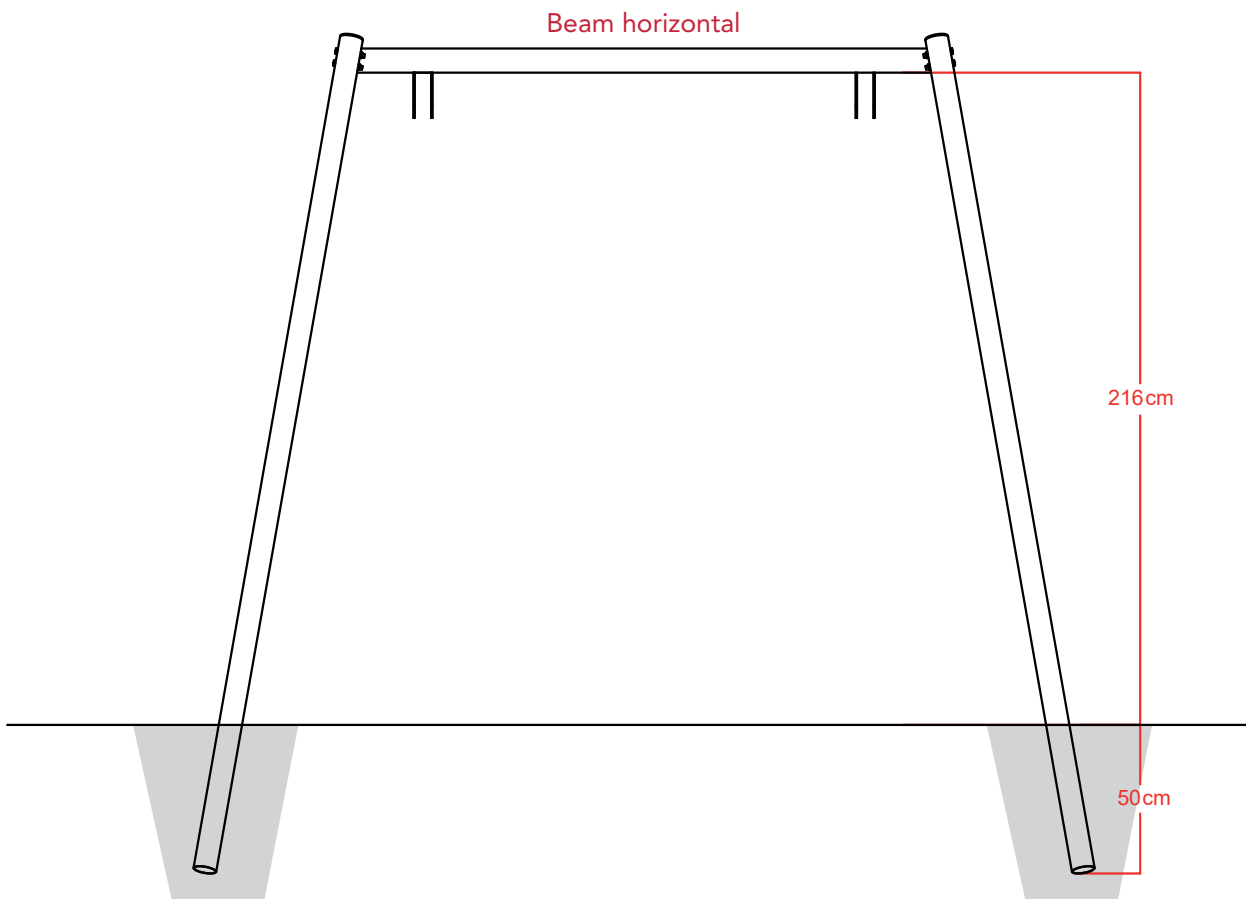
02.

**Cast the structure in the ground.**

Position the structure in the chosen location. Place the leg posts in 4 holes 50cm deep.  
Use temporary supports to ensure the top frame is horizontal and at the right height over ground level. 216cm to the under side of the cross beam. See drawing below.

Cast concrete in the holes.  
Use cardboard cylinders if possible.

Let the concrete cure and set before removing supports.



**MALUS**  
STOCKHOLM HAMMOCK - SINGLE  
Mounting instructions



03.

**Connection of hinges :**

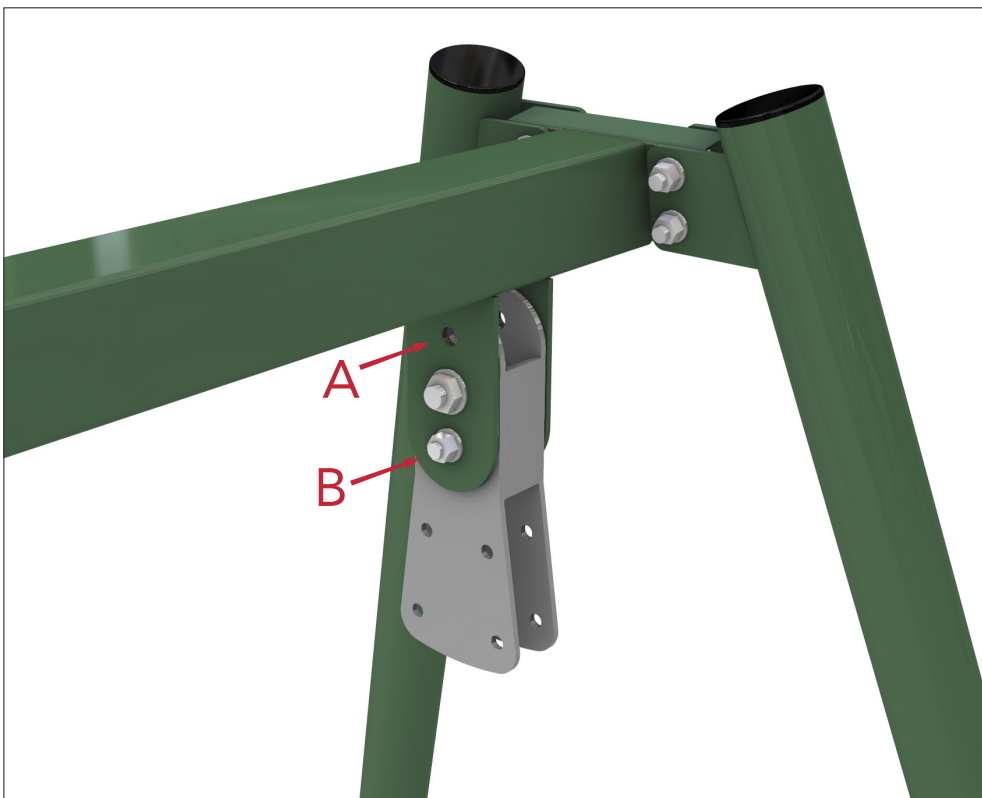
Attach the 2 hammock hinges using M16x85 bolts, washers and locking nuts. one bolt for each hinge. Connect so that the nut is properly screwed on, but the hinge is still free to move.

Below the main M16 hinge bolt insert a M12x85 bolt, washers and locking nut. This Bolt is not tightened all the way either and is used to limit the swinging motion of the hammock.

for this stage :

2st M16x85 bolts, washers and locking nuts.

2st M12x85 bolts, washers and locking nuts.



**Note!**

**The upper M12 hole is used for locking the swinging motion (A)**

**The lower M12 hole is used for limiting the swinging motion (B)**

See illustration

**MALUS**  
STOCKHOLM HAMMOCK - SINGLE  
Mounting instructions

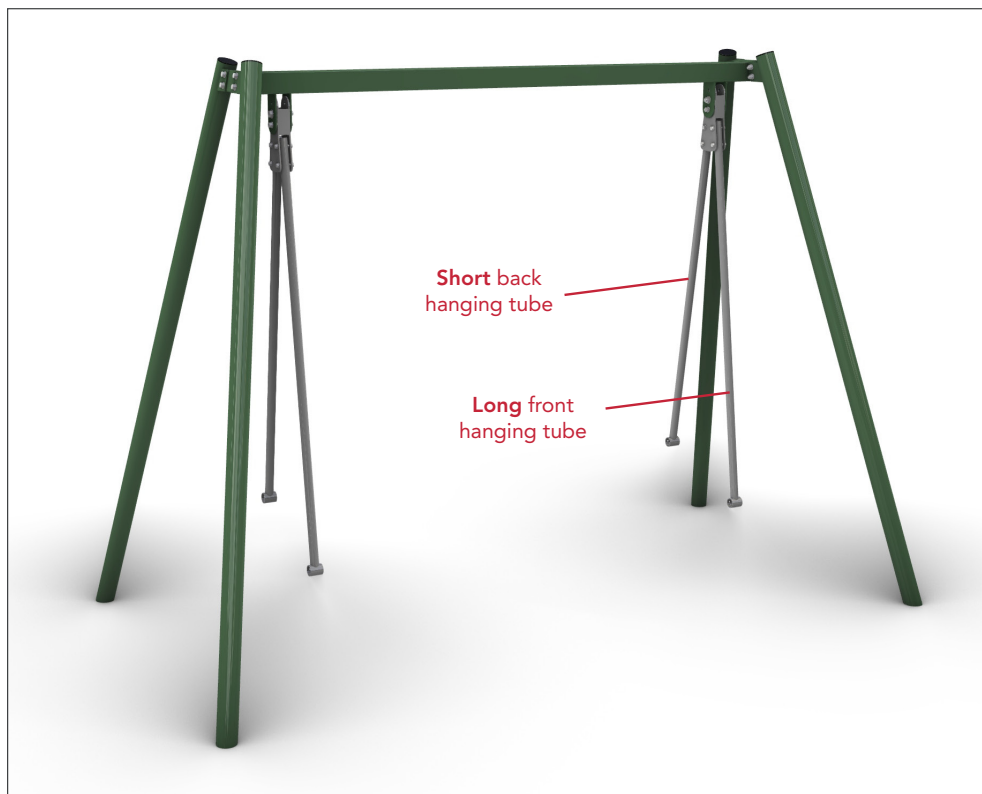
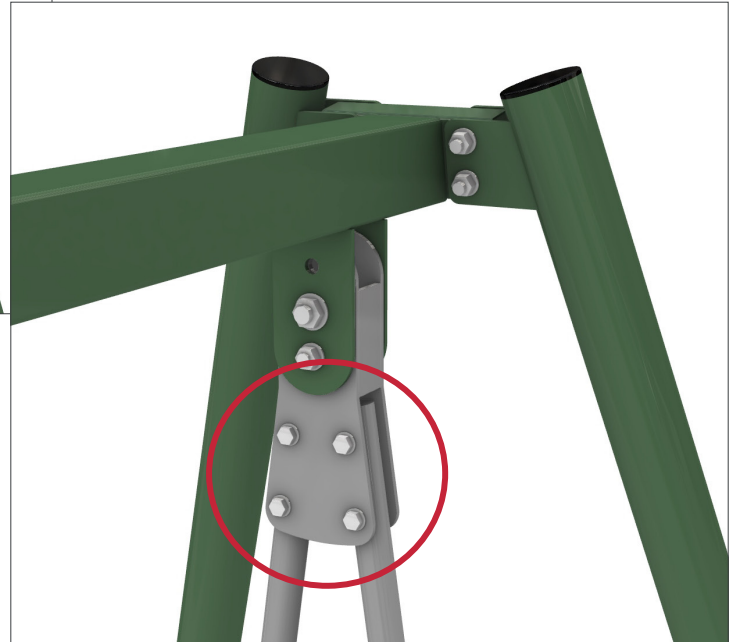


04.

**Connection of 4 hanging tubes :**

Attach the 2 kinds of hanging tubes with M10x60 bolts nuts and washers. 2 bolts for every tube.

In total 8st M10x60 bolts.



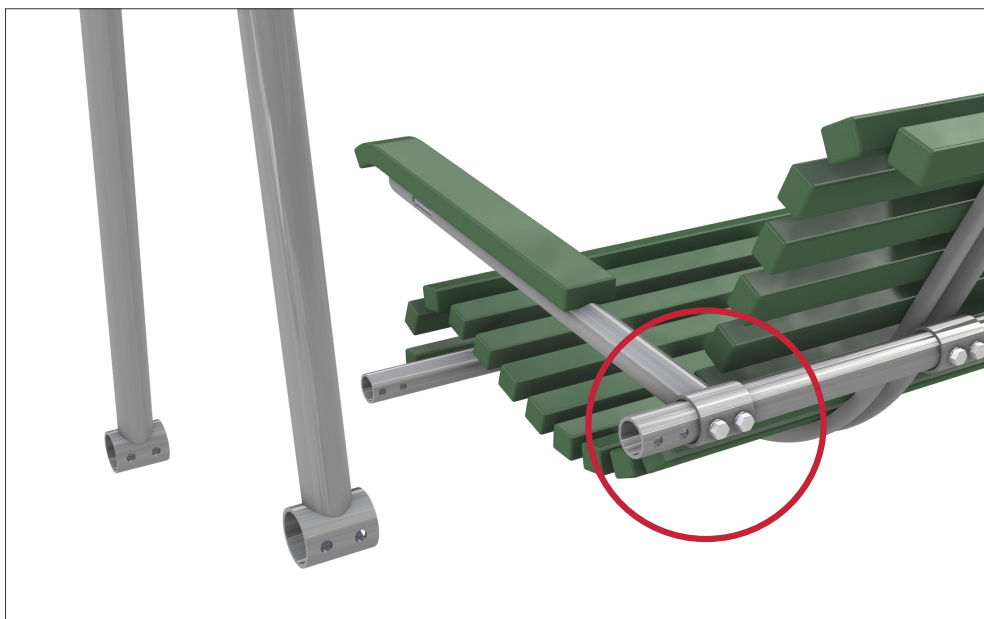
**Note!**

**There are 2 kinds of hanging tubes.**  
The short tubes are used in the back.  
The longer tubes are used to hang the front of the hammock!

# MALUS

## STOCKHOLM HAMMOCK - SINGLE

### Mounting instructions



05.

#### Attach the armrests :

Use M8 "tappbultar" to attach the 2 armrests to the backrest horizontal pipe of the bench structure.

Do not fasten tightly, this is done after mounting the bench on the hanging tubes.

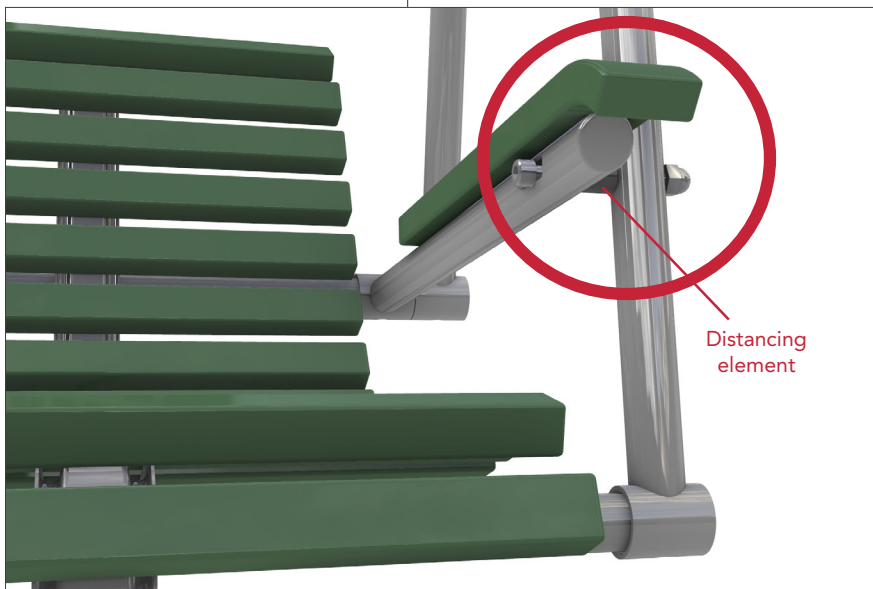
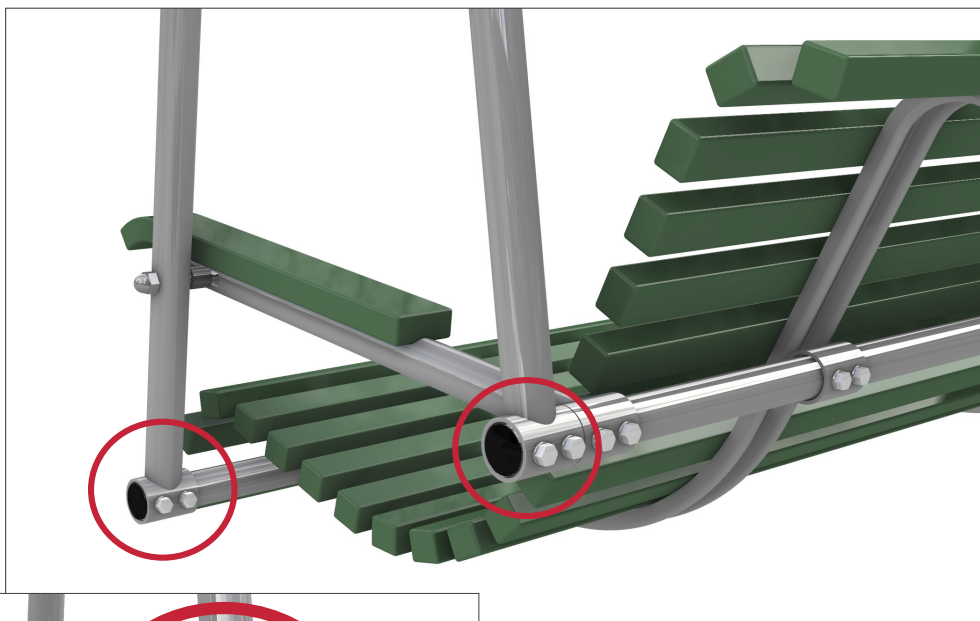
2st bolts for every armrest.  
In total 4st tapp-bolts at this stage.

06.

#### Hanging the bench :

Use M8 "tappbultar" to attach the bench horizontal pipes to the hanging tubes. See image.

2st bolts for every hanging tube.  
In total 8st tapp-bolts at this stage.



#### Attach the armrest to the hanging tube .

Use M8x100 bolts, nuts and washers to attach the armrests to the **front** hanging tubes.  
Use the distancing cylinder element between the armrest and the hanging tube.  
See image.

1st bolt for every armrest/hanging tube.  
In total 2st M8x100 bolts.

**MALUS**  
STOCKHOLM HAMMOCK - SINGLE  
Mounting instructions



The hammock is fully mounted.

Make sure all bolts are properly fastened (hinge bolts by the cross beam not fastened too tightly to allow the swinging motion)

