

**MALUS**  
Giffard - Tree guard



**01.**

Place the leg tubes of the upper arc part in the tubes of the grating connectors.

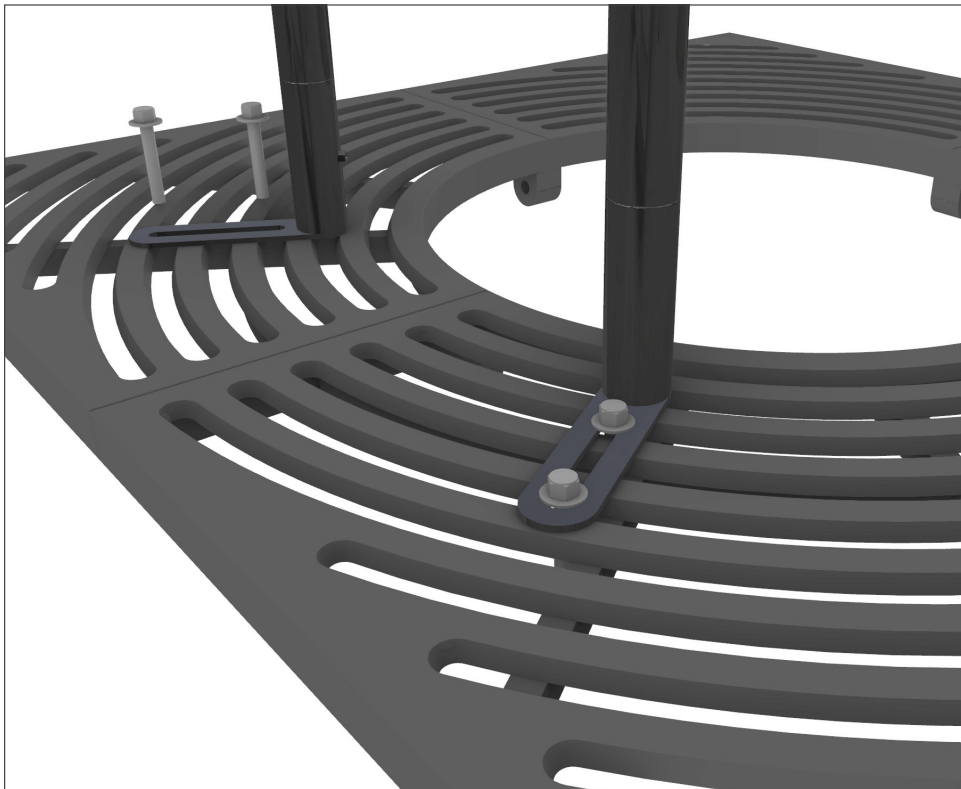


**02.**

Place the parts on the grating and position according to your needs. Consider the distance between the two arcs of the tree guard.

Note the connectors can swivel freely at this stage, so that their attachment position can be adjusted.

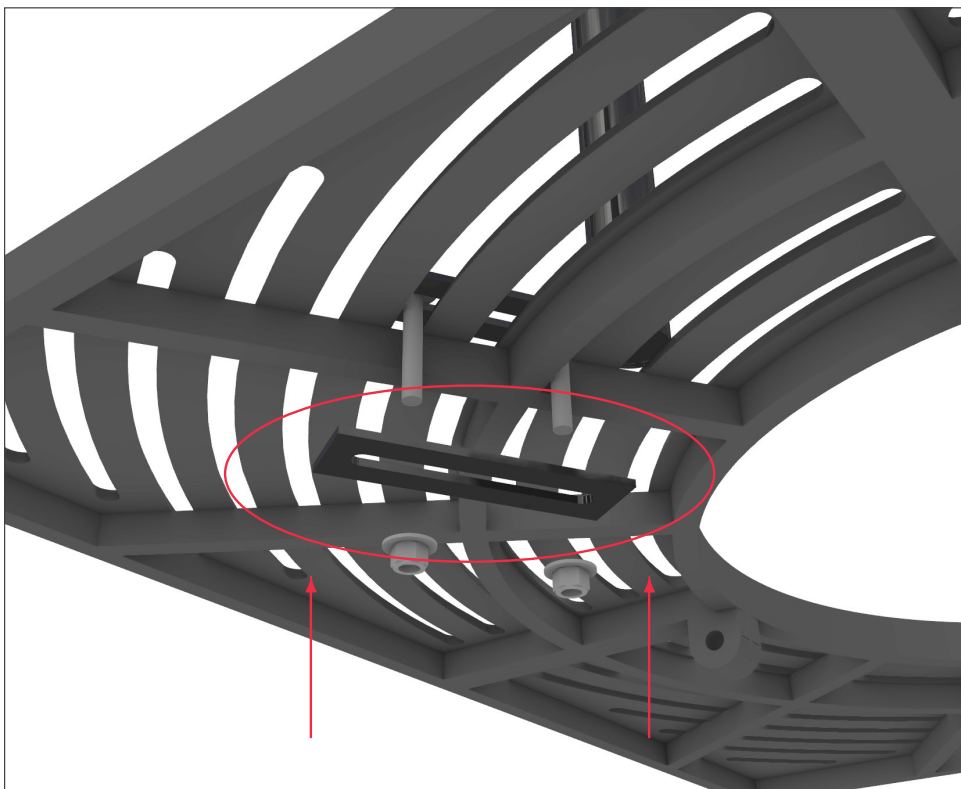
**MALUS**  
Giffard - Tree guard



**03.**

Insert 2 bolts through the slot in each grating connector. Use washers.

Note! Adjust the placement of the connectors so that the bolts can be inserted through gaps in the grating. (in some gratings the angle of the connector might be turned 90 degrees to the angle shown in this image)



**04.**

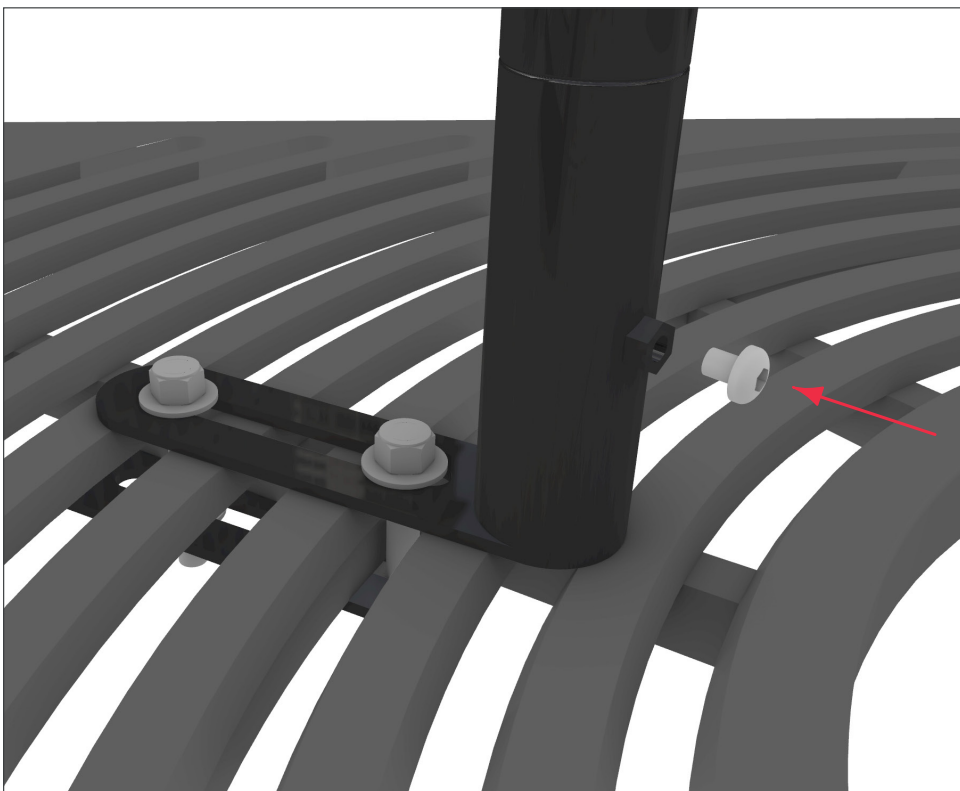
Complete the attachment by using the underside metal strip and 2 nuts and bolts (for every connector).

**MALUS**  
Giffard - Tree guard



**05.**

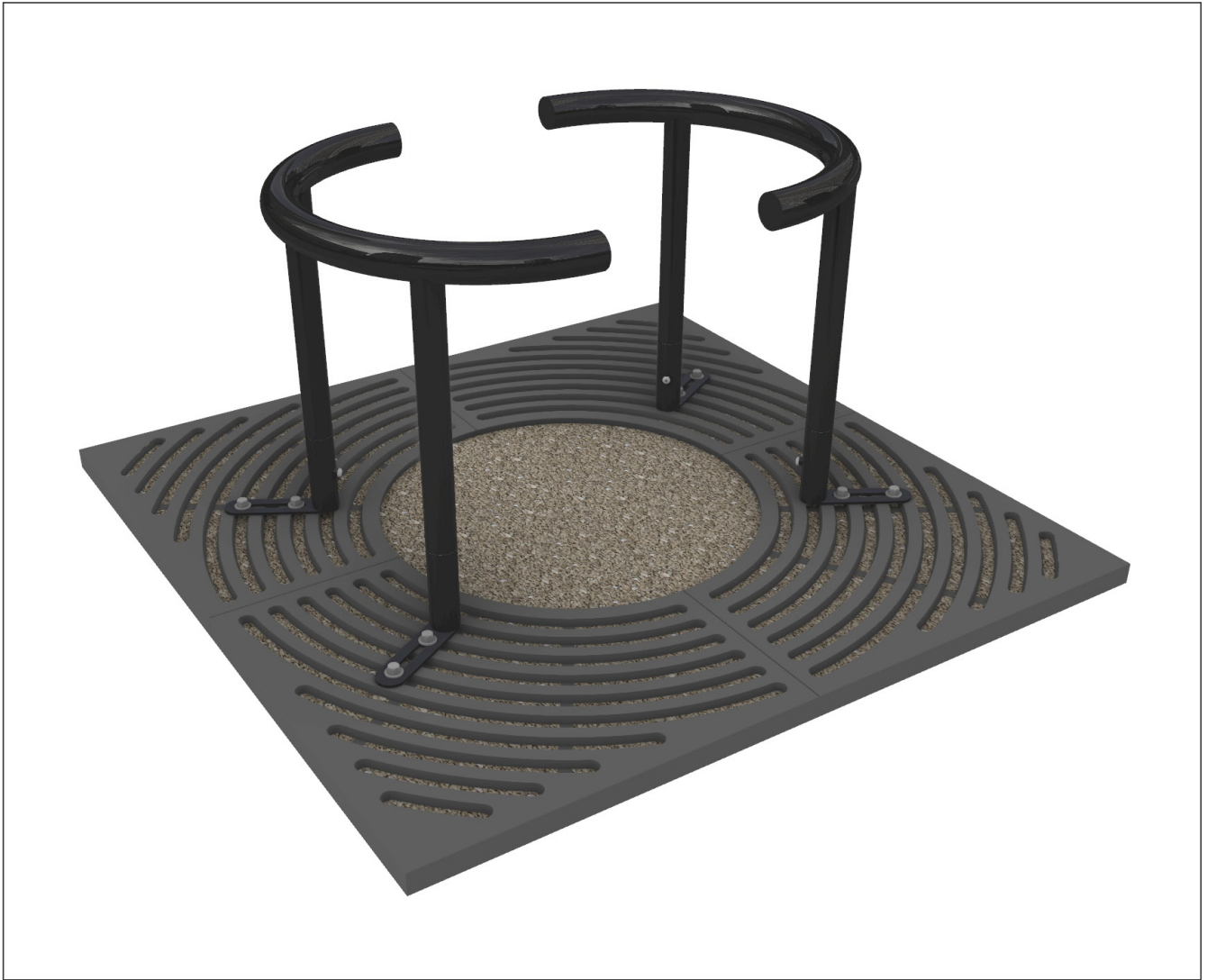
After tightening the bolt nuts, the attachment on the under side looks like this.



**06.**

Once the connectors are firmly attached to the grating, fasten the arc part to the connectors with M8x10mm Bolt. 1 bolt for each leg.

**MALUS**  
Giffard - Tree guard



07.

Repeat the steps to connect the opposite arc.