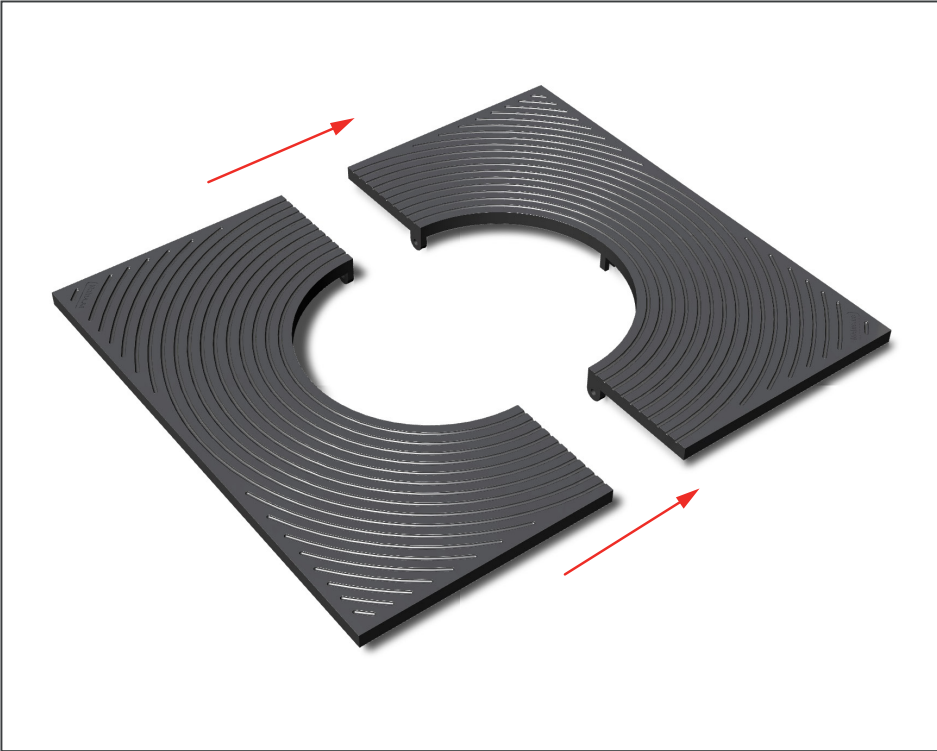
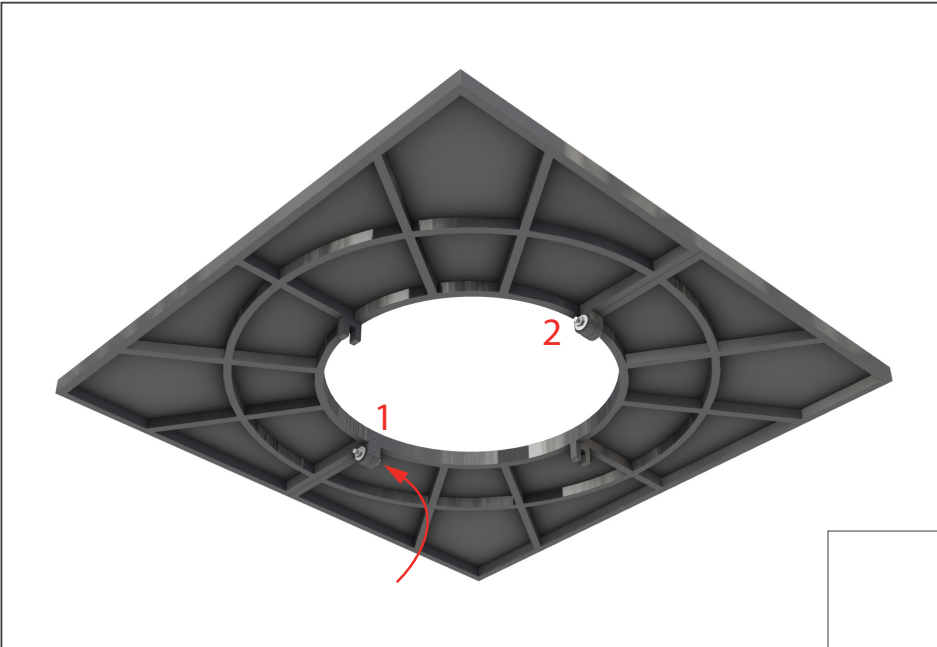


MALUS
CORTLAND ORIGINAL Tree grating
Mounting instructions



01.
Place 2 half pieces next to each other to form the square grating.



02.
Connect the 2 half pieces with M12 nuts and bolts, using the "ears" on the under side, shown as points 1 and 2.

M12 bolt
M12 Nut
2 Washers

