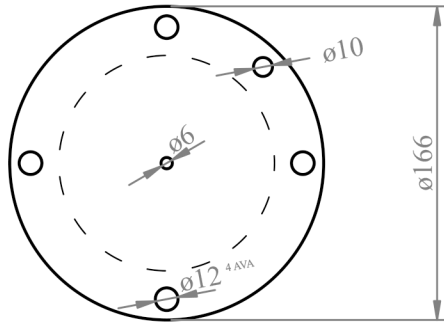
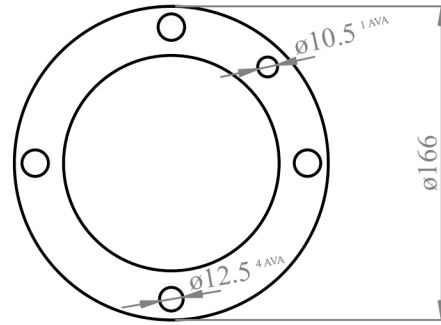


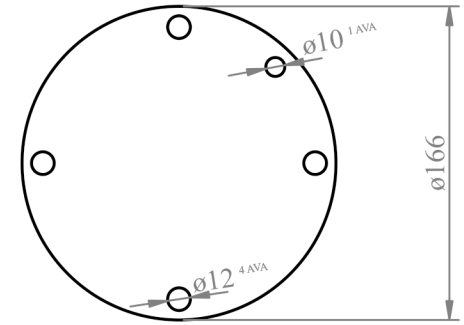
Bollard underside - disc 5 mm:



Anchor underside - disc 5 mm:



Cover disc - 3 mm:



Bolt M10x25 or M10x20 AISI304 - 4 tk  
Bolt M8x25 or M8x20 AISI304, special - 1 tk

